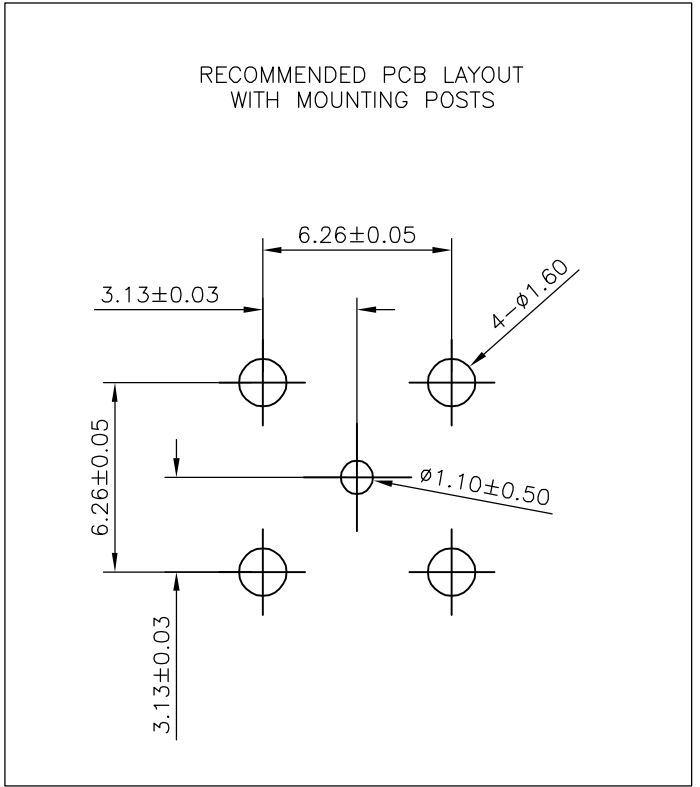
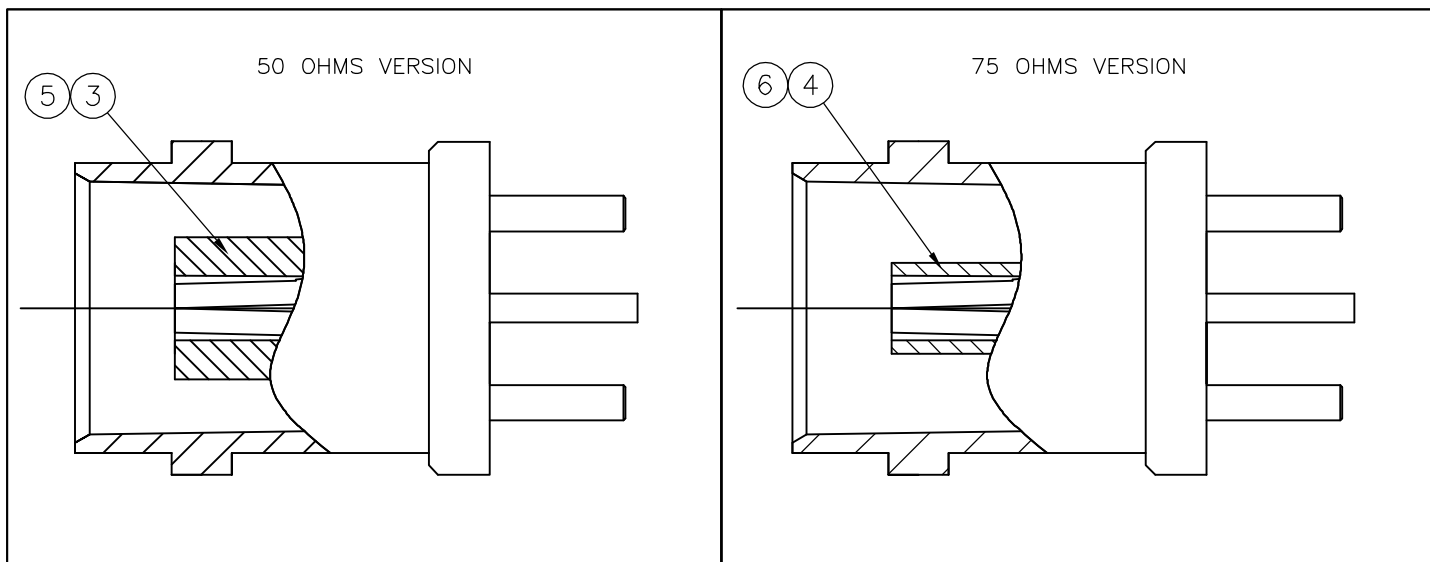
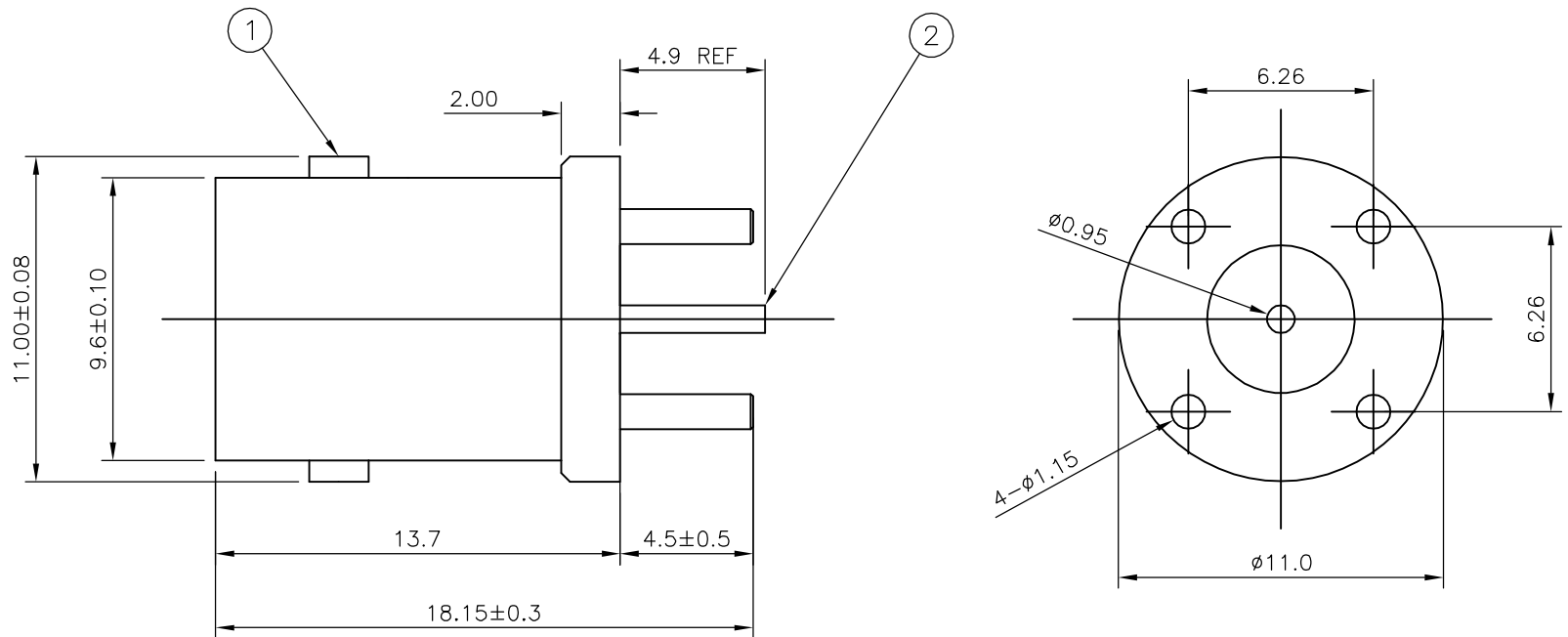


THIS DRAWING IS UNPUBLISHED. RELEASED FOR PUBLICATION SEP ,2004.
 © COPYRIGHT 2004 BY TYCO ELECTRONICS CORPORATION. ALL RIGHTS RESERVED.

LOC	DIST	REVISIONS					
E	B	P	LTR	DESCRIPTION	DATE	DWN	APVD
		C		ECR-06-009863	24APR06	JMS	FWK

- NOTES**
- 1 100 TRAY PACK IN ACCORDANCE WITH AMP SPEC 107-3275
 - 2 SINGLE PACK IN ACCORDANCE WITH AMP SPEC 107-3275
 - 3 Au PLATING
 - 4 Ni PLATING
 - 5 **CHARACTERISTICS**
 FREQUENCY RANGE (50 OHMS): DC-4GHz
 FREQUENCY RANGE (75 OHMS): DC-2GHz
 INSULATION RESISTANCE: 5000 MOHMS
 WORKING VOLTAGE: 500V
 DIELECTRIC WITHSTAND VOLTAGE: 1500V RMS
 TEMPERATURE RATE (POLYMETHYLPENTENE): -55°C TO +85°C
 TEMPERATURE RATE (PTFE): -55°C TO +165°C
 - 6 **MECHANICAL CHARACTERISTICS**
 DURABILITY: 50 CYCLES
 - 7 FOR TECHNICAL DATA REFER TO YOUR LOCAL TYCO ELECTRONICS SALES OFFICE
 - 8 ALL DIMENSIONS ARE NOMINAL FOR REFERENCE ONLY UNLESS OTHERWISE STATED



5--7	5--6	5--5	5--4	5--3	5--2	5--1	5--0	MATERIAL	DESCRIPTION	ITEM
1	1	-	-	-	-	-	-	PTFE	INSULATOR	6
-	-	1	1	-	-	-	-	PTFE	INSULATOR	5
-	-	-	-	1	1	-	-	POLYMETHYLPENTENE	INSULATOR	4
-	-	-	-	-	-	1	1	POLYMETHYLPENTENE	INSULATOR	3
1	1	1	1	1	1	1	1	PHOS BRONZE	CONTACT	2
1	1	1	1	1	1	1	1	ZINC ALLOY	BODY	1
△	△	△	△	△	△	△	△			

THIS DRAWING IS A CONTROLLED DOCUMENT.		DWN	J.SANDWELL	04MAR04	tyco Electronics		Tyco Electronics Corporation	
DIMENSIONS: mm		CHK	S.PARLOW	04MAR04			Bideford, UK, EX39 4HE	
TOLERANCES UNLESS OTHERWISE SPECIFIED:		APVD	F.WHEELER-KING	04MAR04	NAME		BNC STRAIGHT LOW PROFILE PCB SOCKET	
0 PLC ± -		PRODUCT SPEC		SIZE		CAGE CODE	DRAWING NO	RESTRICTED TO
1 PLC ± -		APPLICATION SPEC		A3		00779	C-1634503	-
2 PLC ± -		WEIGHT		CUSTOMER DRAWING		SCALE	NTS	SHEET 1 OF 1
3 PLC ± -		MATERIAL		SCALE		NTS	SHEET 1 OF 1	REV C
4 PLC ± -		FINISH		SCALE		NTS	SHEET 1 OF 1	REV C
ANGLES ± -				SCALE		NTS	SHEET 1 OF 1	REV C